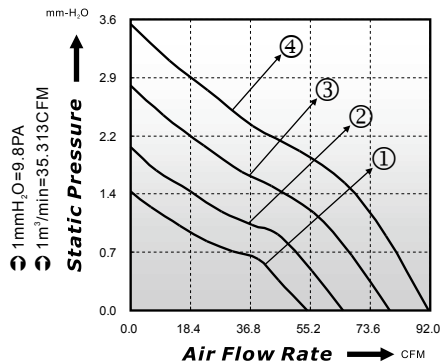


120x120x25mm

■ Case

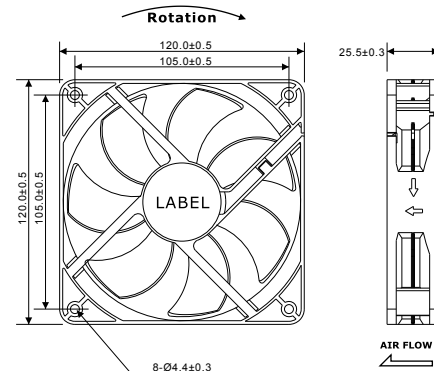


■ P-Q Curve (At Rated Voltage)



■ Dimensions Drawing

Unit: (mm)



Model No	Bearing (*)	Rated Voltage (VDC)	Rated Current (A)	Power Consumption (Watts)	Speed (rpm)	Air Flow (CFM)	Static Pressure (mmH ₂ O)	Noise (dBA)	Curve
ED12025-12L*	○ ● ⊖	12	0.12	1.44	1500	54.35	1.47	28.10	1
ED12025-12M*	○ ● ⊖	12	0.20	2.40	1800	65.15	2.02	33.30	2
ED12025-12H*	○ ● ⊖	12	0.28	3.36	2200	79.51	2.78	38.20	3
ED12025-12HH*	○ ● ⊖	12	0.50	6.00	2600	91.55	3.54	42.70	4
ED12025-24L*	○ ● ⊖	24	0.10	2.40	1500	54.35	1.47	28.10	1
ED12025-24M*	○ ● ⊖	24	0.13	3.12	1800	65.15	2.02	33.30	2
ED12025-24H*	○ ● ⊖	24	0.20	4.80	2200	79.51	2.78	38.20	3
ED12025-24HH*	○ ● ⊖	24	0.40	9.60	2600	91.55	3.54	42.70	4

* Bearing Type: ○ Sleeve ● Two Ball ⊖ Hydro-Dynamic